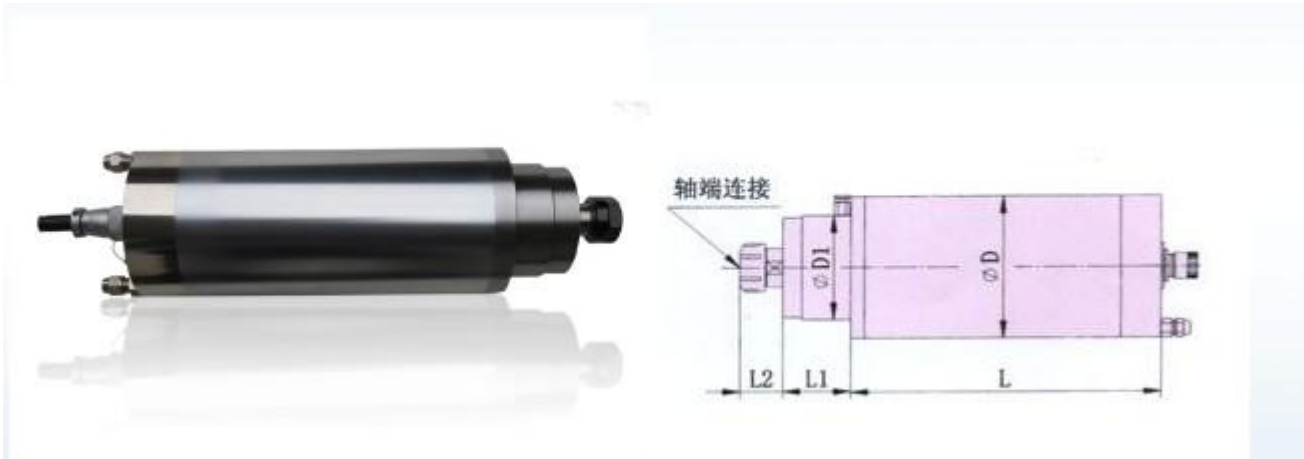


## Permanent Torque Spindle

### 0.3kw spindle motor



#### 0.3 kw Spindle Motor

**Brand name:** Haina

**Spindle type:** HNZ-48D/0.3

**Function:** used in wood carving machine

**Rev(r/min):** 20000rpm-60000rpm

**Power(kw):** 0.3

**Voltage(v):** 75

**Current(A):** 2.5

**Frequency(HZ):** 333-1000

**Cool:** cooled by water

**Bearing type:** 2\*NSK7001CP4 1\*SW7001CP4

**Lubricate:** grease

**Repair time:** bearing(half year), spindle(one year)

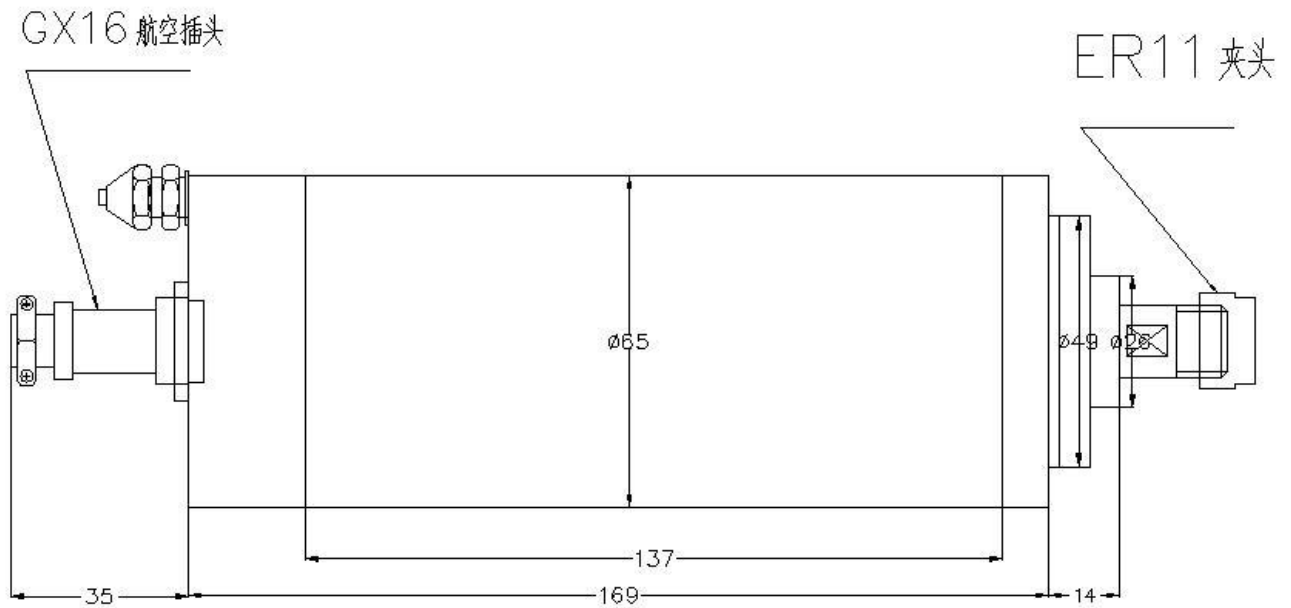
**Collet(mm):** ER8

**Diameter(mm):** 48

**D1:** 42MM

**Length:** 119mm L1:6mm L2:25mm

## 0.8kw Spindle Motor



### 0.8 kw Spindle Motor

**Brand name:** Haina

**Spindle type:** HNZ-65D/0.8

**Function:** used in wood carving machine

**Rev(r/min):** 24000

**Power(kw):** 0.8

**Voltage(v):** 220

**Current(A):** 5.0

**Frequency(HZ):** 400

**Cool:** cooled by water

**Bearing type:** 1\*7002CP4 1\*7002CP4

**Lubricate:** grease

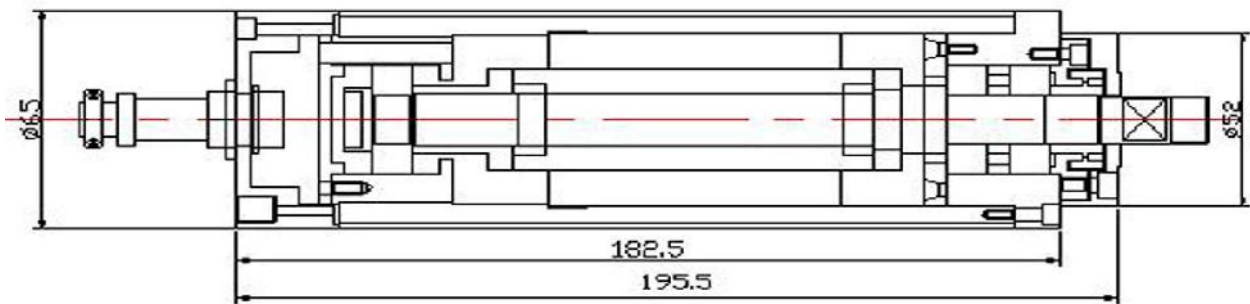
**Repair time:** bearing(half year), spindle(one year)

**Weight(kg):** 3.1

**Collet(mm):** ER11

**Diameter(mm):** 65

## 0.8kw-A Spindle Motor



0.8kw-A Spindle Motor

Spindle type: HNZ-65D/0.8A

Brand name: Haina

Function: used in wood carving

Rev(r/min): 24000

Power(kw): 0.8

Voltage(v): 220

Current(A): 5.0

Frequency(HZ): 400

Cool: cooled by water

Bearing type: 2\*7002CP4 1\*7002CP4

Lubricate: grease

Repair time: bearing(half year), spindle(one year)

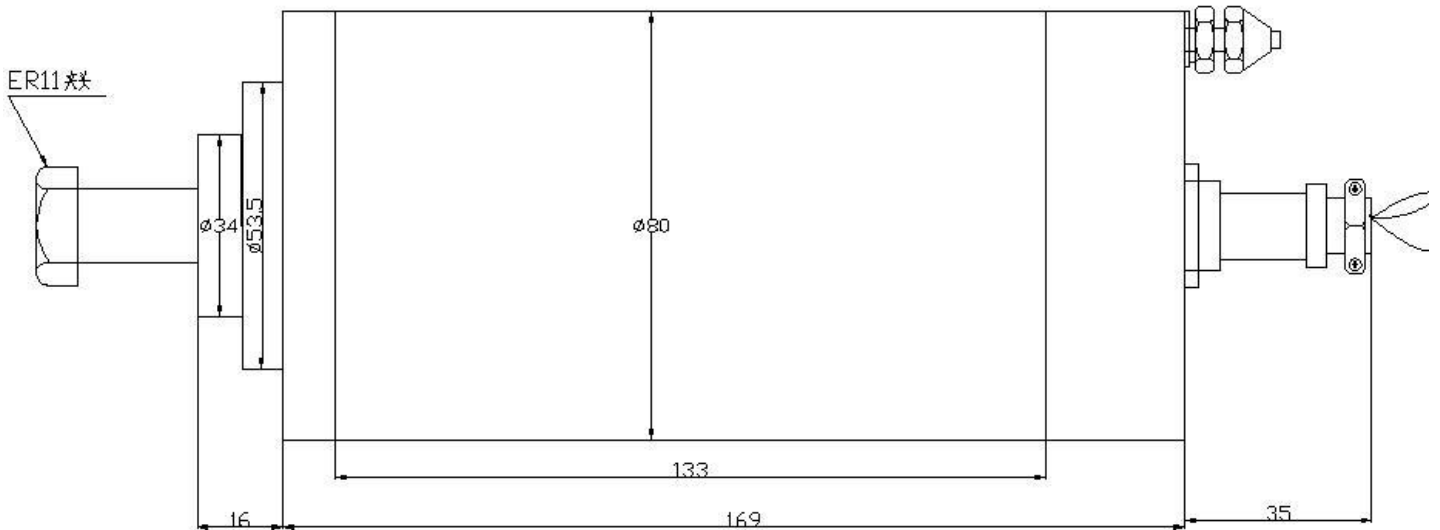
Weight(kg): 4

Collet(mm): ER11

Diameter(mm): 65

## 1.5kw Spindle Motor

1500W 外型尺寸简图



### 1.5kw Spindle Motor

**Brand name:** Haina

**Spindle type:** HNZ-80D/1.5

**Function:** used in wood carving , drilling , engraving and milling machinery

**Rev(r/min):** 24000

**Power(kw):** 1.5

**Voltage(v):** 220

**Current(A):** 6.5

**Frequency(HZ):** 400

**Cool:** cooled by water

**Bearing type:** 1\*7002CP4

1\*7002CP4

**Lubricate:** grease

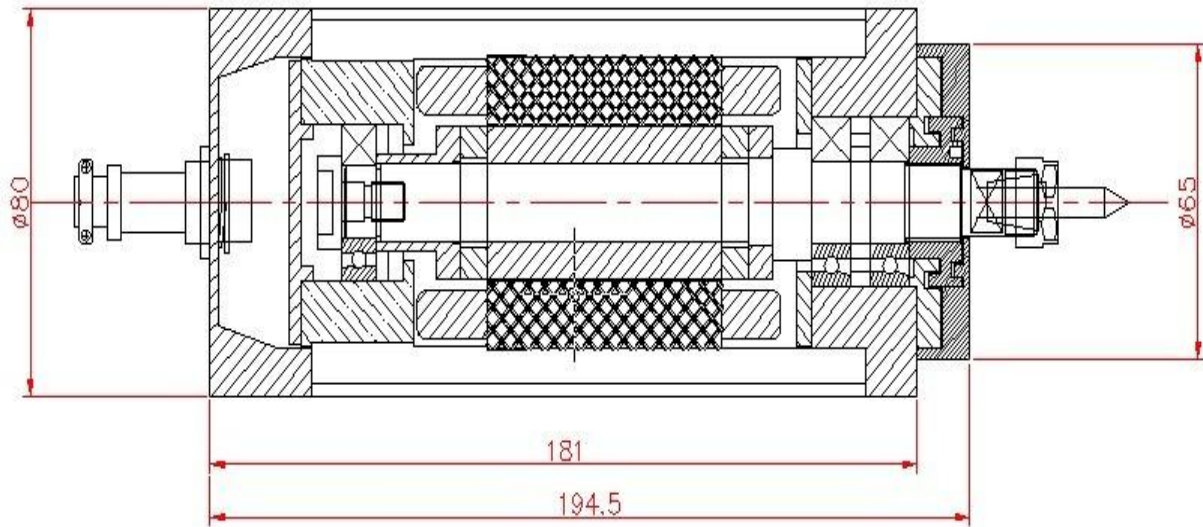
**Repair time:** bearing(half year), spindle(one year)

**Weight(kg):** 4.5

**Collet(mm):** ER11

**Diameter(mm):** 80

## 1.5kw-A Spindle Motor



### 1.5kw-A Spindle Motor

Spindle type: HNZ-80D/1.5A

Brand name: Haina

Function: used in wood carving machine

Rev(r/min): 24000

Power(kw): 1.5

Voltage(v): 220

Current(A): 6.5

Frequency(HZ): 400

Cool: cooled by water

Bearing type: 2\*7003CP4 1\*7002CP4

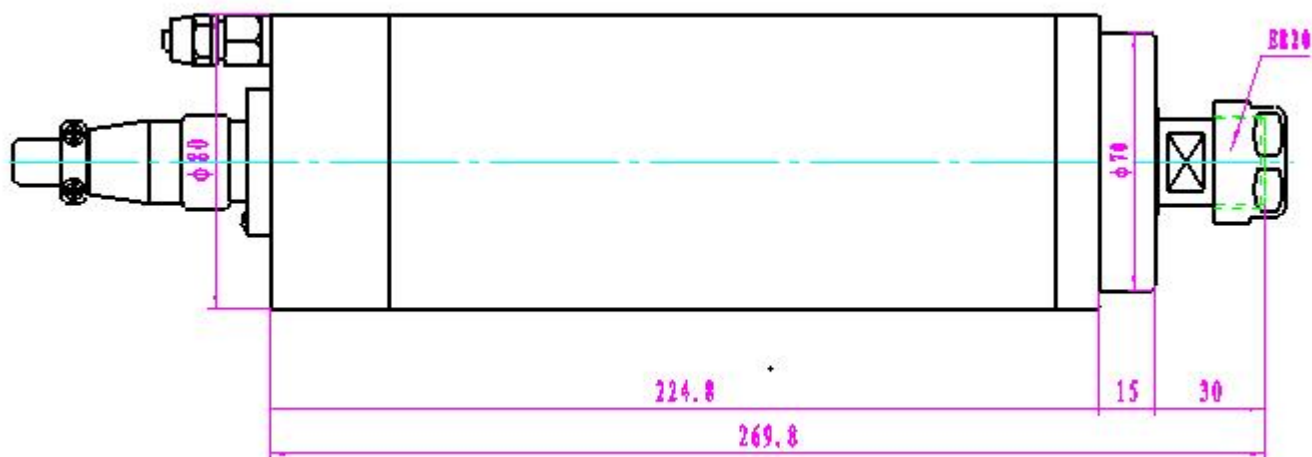
Lubricate: grease

Repair time: bearing(half year), spindle(one year)

Weight(kg): 6.0

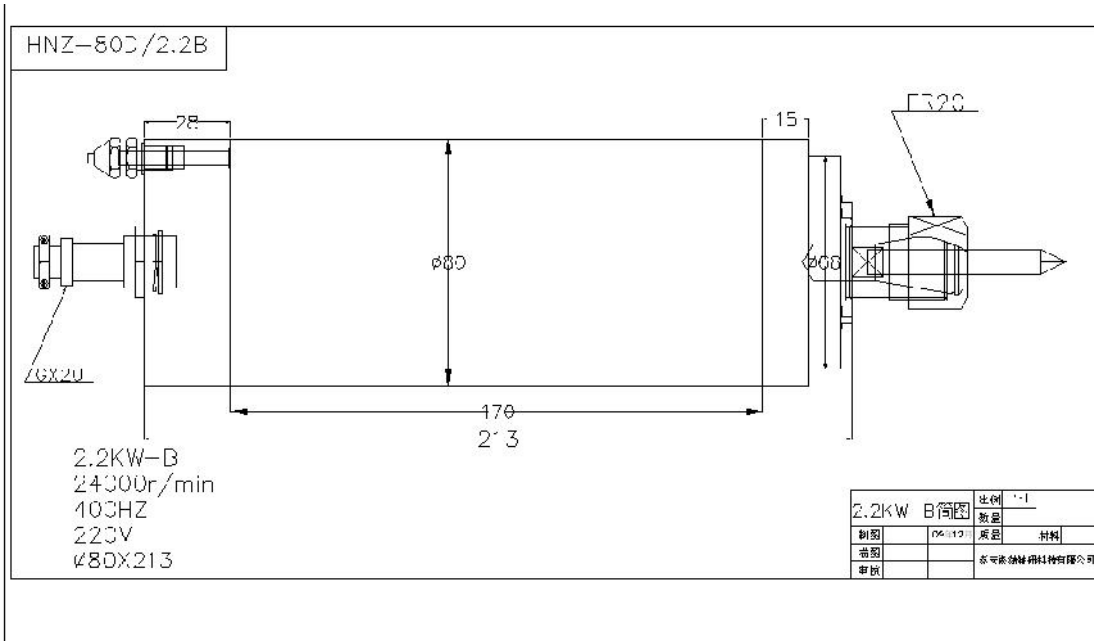
Collet(mm): ER11  
Diameter(mm): 80

## 2.2kw-A Spindle Motor



**2.2kw Spindle Motor**  
**Spindle type: HNZ-80D/2.2A**  
**Brand name: Haina**  
**Function: used in wood carving machine**  
**Rev(r/min): 24000**  
**Power(kw): 2.2**  
**Voltage(v): 220**  
**Current(A): 8**  
**Frequency(HZ): 400**  
**Cool: cooled by water**  
**Bearing type: 2\*7005CP4 2\*7002CP4**  
**Lubricate: grease**  
**Repair time: bearing(half year), spindle(one year)**  
**Weight(kg): 7**  
**Collet(mm): ER20**  
**Diameter(mm): 80**

## 2.2kw-B Spindle Motor



**Spindle type: HNZ-80D/2.2B**

**Brand name: Haina**

**Function: used in wood carving machine**

**Rev(r/min): 24000**

**Power(kw): 2.2**

**Voltage(v): 220**

**Current(A): 8**

**Frequency(HZ): 400**

**Cool: cooled by water**

**Bearing type: 2\*7005CP4 1\*7002CP4**

**Lubricate: grease**

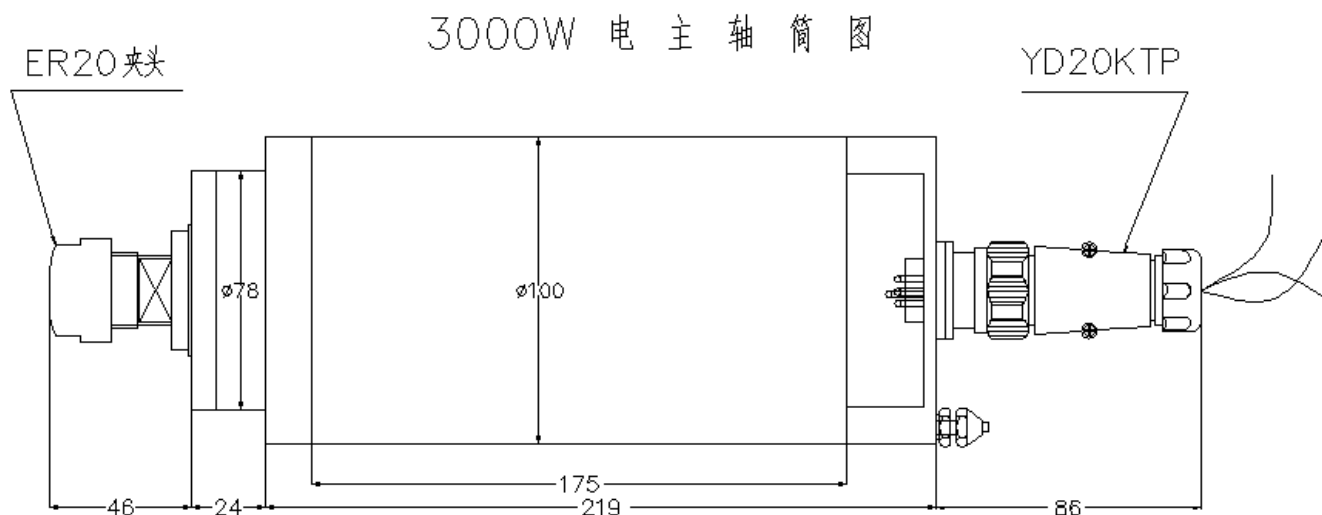
**Repair time: bearing(half year), spindle(one year)**

**Weight(kg): 7**

**Collet(mm): ER20**

**Diameter(mm): 80**

## 3.0 kw-220v Spindle Motor



**3.0kw-220v Spindle Motor**

**Brand name: Haina**

**Spindle type: HN3-100D/3.0-220**

**Function: used in wood carving machine**

**Rev(r/min): 24000**

**Power(kw): 3.0**

**Voltage(v): 220**

**Current(A):12**

**Frequency(HZ): 400**

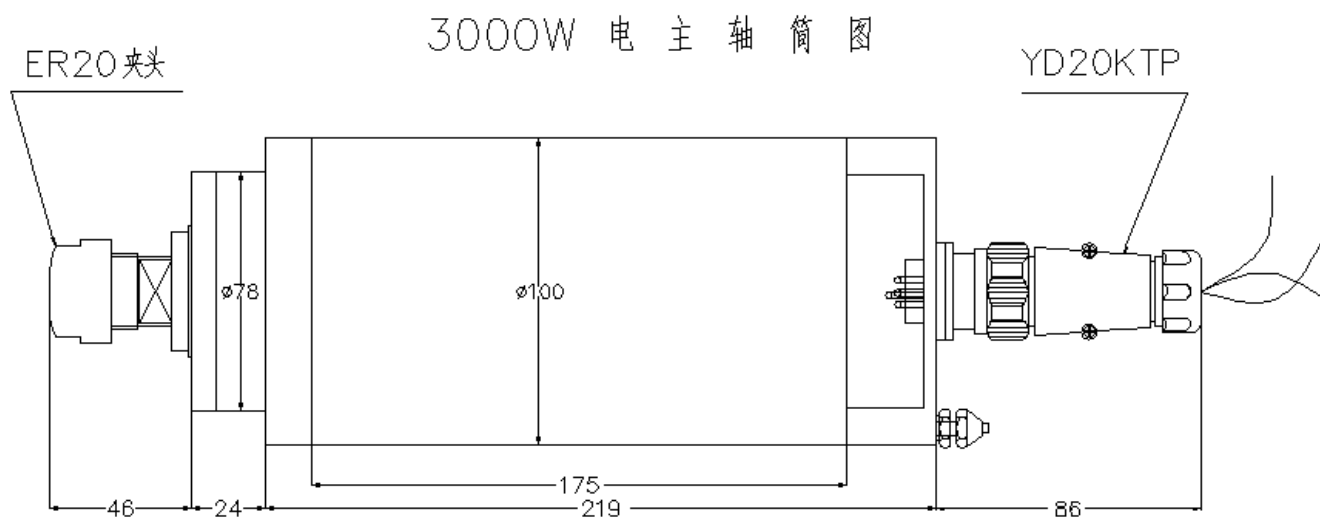
**Cool: cooled by water**

**Bearing type: 2\*7005CP4 1\*7003CP4**



Lubricate: grease  
Repair time: bearing(half year), spindle(one year)  
Weight(kg): 12  
Collet(mm): ER20  
Diameter(mm): 100

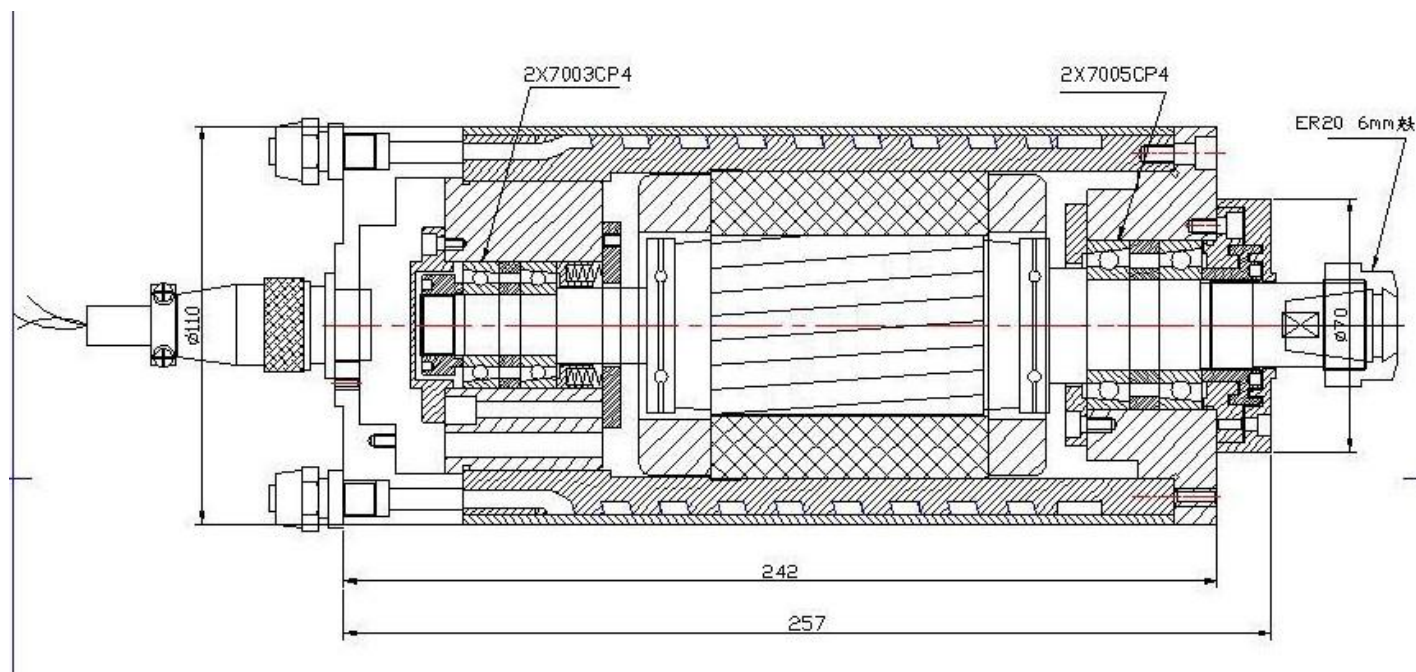
### 3.0 kw-380v Spindle Motor



3.0kw-380v Spindle Motor  
Brand name: Haina  
Spindle type: HNZ-100D/3.0-380  
Function: used in wood carving machine  
Rev(r/min): 24000  
Power(kw): 3.0  
Voltage(v): 380  
Current(A): 10  
Frequency(HZ): 400  
Cool: cooled by water  
Bearing type: 2\*7005CP4 1\*7003CP4  
Lubricate: grease  
Repair time: bearing(half year), spindle(one year)  
Weight(kg): 12  
Collet(mm): ER20

Diameter(mm): 100

## 4.5kw-110D Spindle Motor



### 4.5kw-110D Spindle Motor

Brand name: Haina

Spindle type: HNZ-110D/4.5

Function: used in wooden carving , drilling , engraving and milling machinery

Rev(r/min): 24000

Power(kw): 4.5

Voltage(v):380

Current(A): 10

Frequency(HZ): 400

Cool: cooled by water

Bearing type: 2\*7005CP4 2\*7003CP4

Lubricate: grease

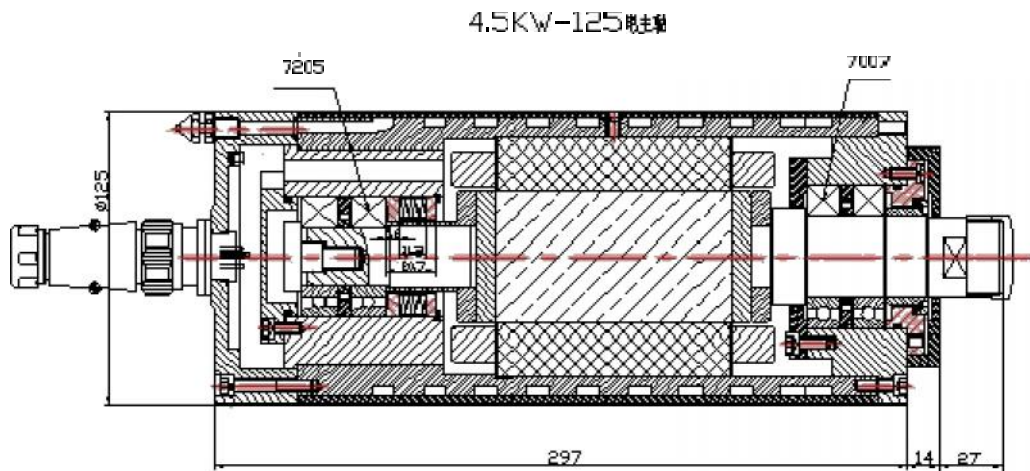
Repair time: bearing(half year), spindle(one year)

Weight(kg): 16

Collet(mm): ER25

Diameter(mm):110

## 4.5kw-125D Spindle Motor



### 4.5kw-125D Spindle Motor

**Brand name:** Haina

**Spindle type:** HNZ-125D/4.5

**Function:** used in wooden carving , drilling , engraving and milling machinery

**Rev(r/min):** 24000

**Power(kw):** 4.5

**Voltage(v):** 380

**Current(A):** 10

**Frequency(HZ):** 400

**Cool:** cooled by water

**Bearing type:** 2\*7007CP4 2\*7205CP4

**Lubricate:** grease

Repair time: bearing(half year), spindle(one year)

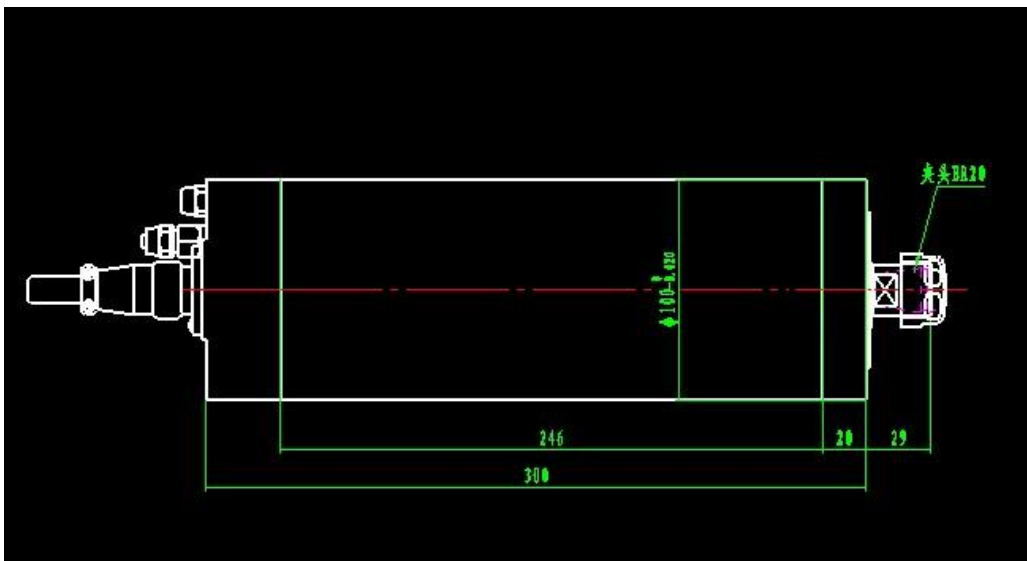
Weight(kg): 16

Collet(mm): ER25

Diameter(mm):125

## Stone engraving machines

### 3.5kw spindle motor for stone engraving



#### 3.5kw Spindle Motor:

Brand name: Haina

Spindle type: HNZ-3.5

Function: used in wood carving machine and engraving

Rev(r/min): 18000-24000

Power(kw): 3.5

Voltage(v): 380

Current(A): 7.4

Frequency(HZ): 300

Torque: 1.96Nm

Cool: cooled by water

Lubricate: grease

Bearing type: 2\*7007CP4 2\*7002CP4

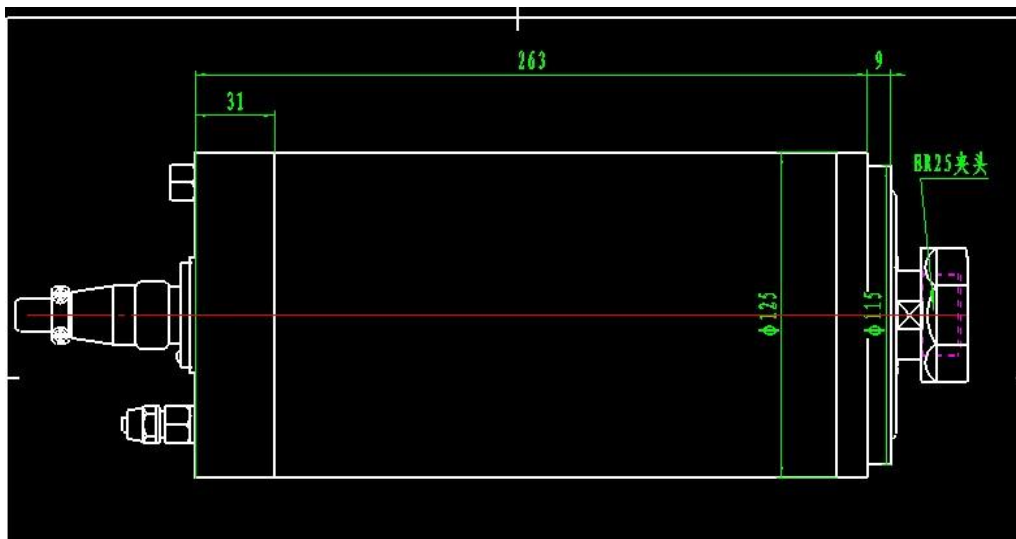
Repair time: bearing(half year), spindle(one year)

Weight (kg): 9

Collet(mm): ER20

Diameter (mm): 100

### 4.5kw spindle motor for stone engraving



4.5kw Spindle Motor:

Brand name: Haina

Spindle type: HNZ-4.5

Function: used in stone carving machine and engraving

Rev(r/min): 18000-24000

Power(kw): 4.5

Voltage(v): 380

Current(A): 9.0

Frequency(HZ): 300

Torque: 2.38Nm

Cool: cooled by water

Lubricate: grease

Bearing type: 2\*7008CP4 2\*7002CP4

Repair time: bearing(half year), spindle(one year)

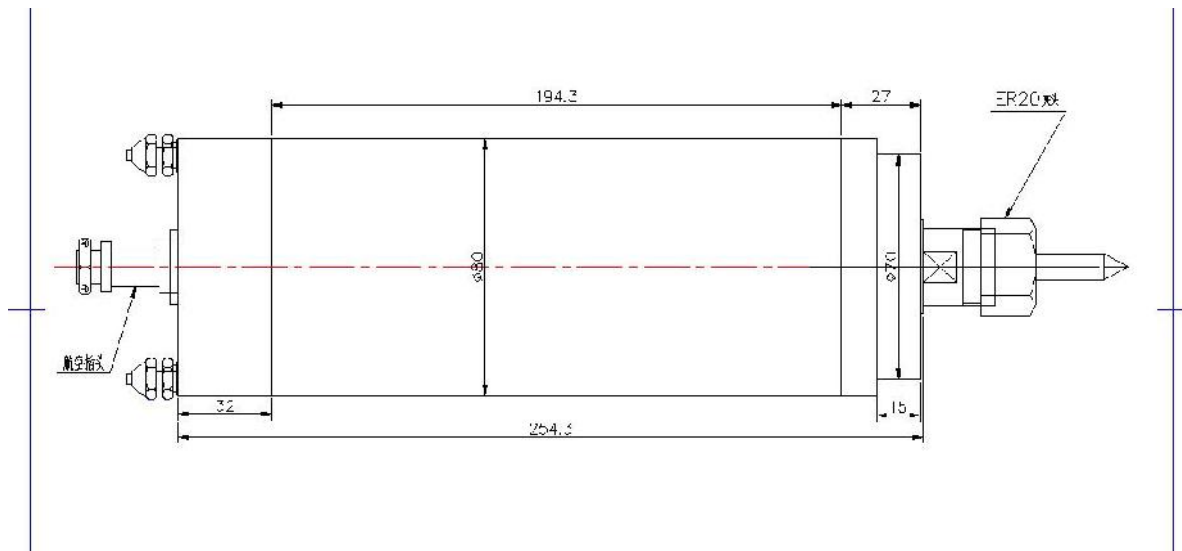
Weight (kg): 11.5

Collet(mm): ER25

Diameter (mm): 125

## Permanent Power Spindle

### 1.2kw Spindle Motor



### 1.2kw Spindle Motor (Permanent Power):

Brand name: Haina

Spindle type: HNZ-80D/1.2

Function: used in metal carving ,and engraving

Rev(r/min): 2000-12000

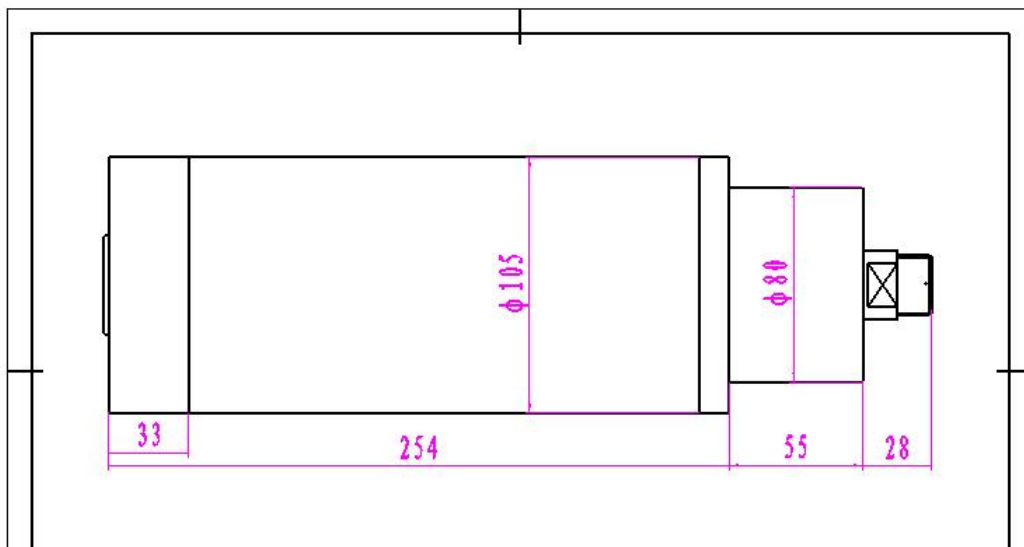
Power(kw): 1.2

Voltage(v): 220

Current(A): 7

Frequency(HZ): 400  
Cool: cooled by water  
Lubricate: grease  
Bearing type: 2\*7005CP4 2\*7002CP4  
Repair time: bearing(half year), spindle(one year)  
Weight(kg): 8  
Collet(mm): ER20  
Diameter(mm): 80

## 2.2kw Spindle Motor



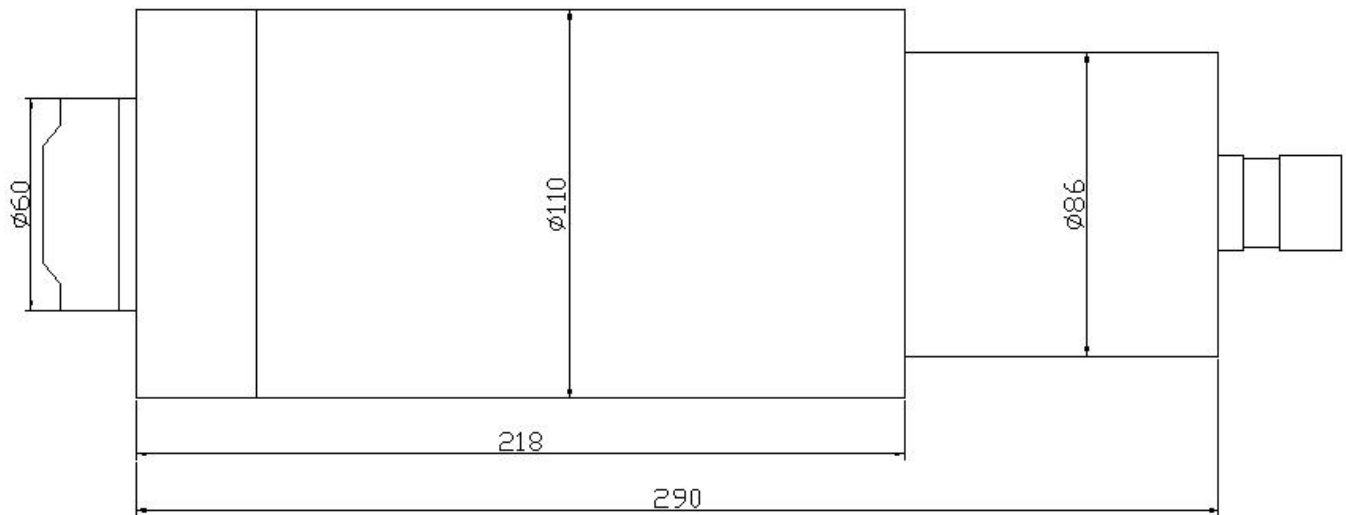
**2.2kw Spindle Motor (Permanent Power):**  
Brand name: Haina  
Spindle type: HNZ-105D/2.2  
Function: used in metal carving ,and engraving  
Rev(r/min): 12000-24000  
Power(kw): 2.2

**Voltage(v): 220**  
**Current(A): 6.5**  
**Frequency(HZ): 400-800**  
**Cool: cooled by water**  
**Lubricate: grease**  
**Bearing type: 2\*7005CP4 2\*7004CP4**  
**Repair time: bearing(half year), spindle(one year)**  
**Collet(mm): ER20**  
**Diameter(mm): 105**

### **3.0kw Spindle Motor**







### 3.0kw Spindle Motor (Permanent Power):

Brand name: Haina

Spindle type: HNZ-110D/3.0

Function: used in metal carving ,and engraving

Rev(r/min): 12000-24000

Power(kw): 3.0

Voltage(v): 380

Current(A): 10

Frequency(HZ): 400-800

Cool: cooled by water

Lubricate: grease

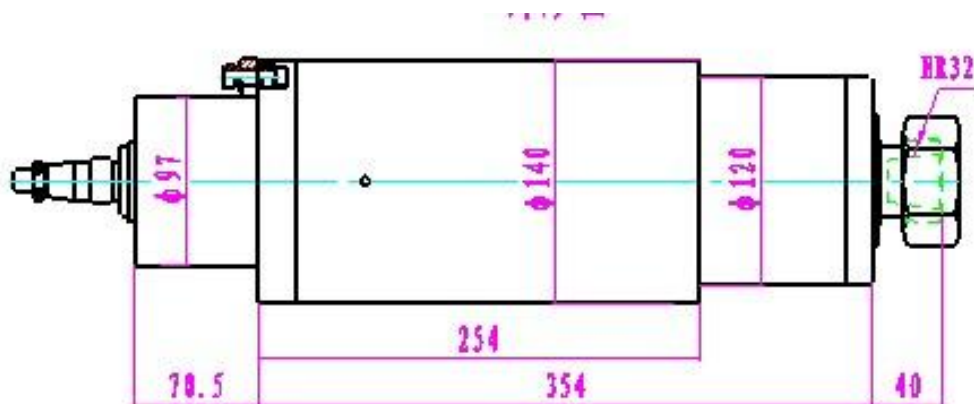
Bearing type: 2\*7005CP4 2\*7003CP4

Repair time: bearing(half year), spindle(one year)

Collet(mm): ER25

Diameter(mm): 110

### 5.5kw Spindle Motor





**5.5kw Spindle Motor (Permanent Power):**

**Brand name: Haina**

**Spindle type: HNZ-140D/5.5**

**Function: used in metal carving ,and engraving**

**Rev(r/min): 3000-12000**

**Power(kw): 5.5**

**Voltage(v): 380**

**Current(A): 15**

**Frequency(HZ): 800**

**Cool: cooled by water**

**Lubricate: grease**

**Bearing type: 4\*7010CP4 2\*7008CP4**

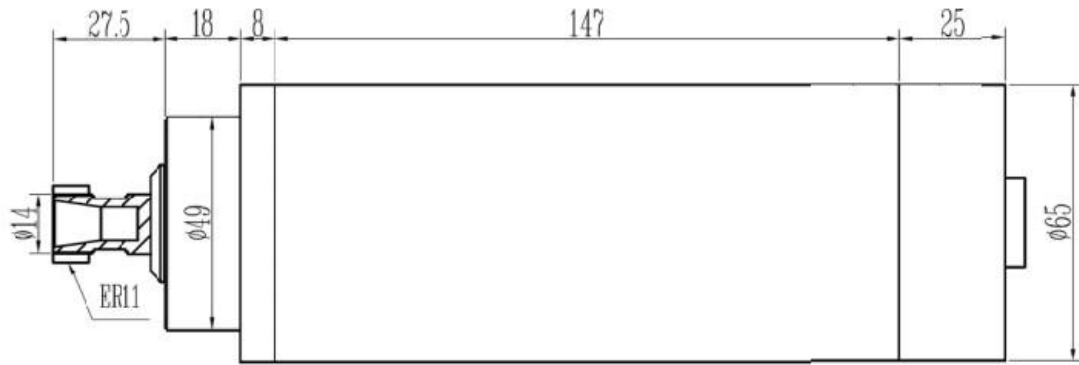
**Repair time: bearing(half year), spindle(one year)**

**Collet(mm): ER32**

**Diameter(mm): 140**

**SPINDLE MOTOR (COOLED BY AIR)**

**0.8kw air cooling spindle motor**



### 0.8 kw Spindle Motor

**Brand name:** Haina

**Spindle type:** HNZ-65D/0.8

**Function:** used in wood carving machine

**Rev(r/min):** 12000rpm-24000rpm

**Power(kw):** 0.8

**Voltage(v):** 220

**Current(A):** 6

**Frequency(HZ):**400

**Cool:** cooled by air

**Bearing type:** 2\*7002CP4 2\*7002CP4

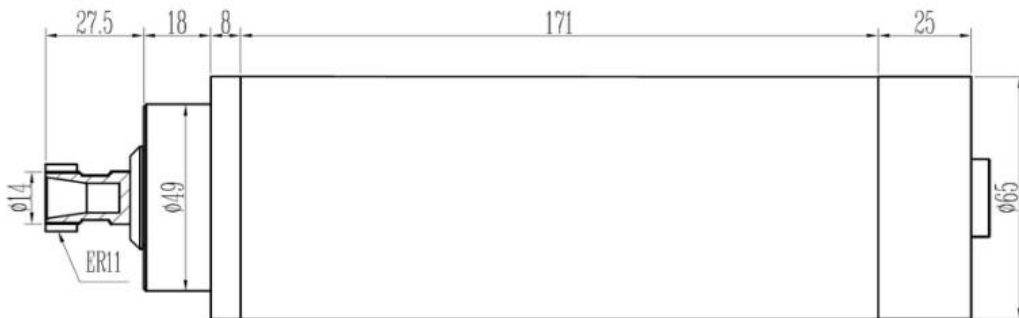
**Lubricate:** grease

**Repair time:** bearing(half year), spindle(one year)

**Collet(mm):** ER11

**Diameter(mm):** 65

**1.5kw air cooling spindle motor**



### 1.5 kw Spindle Motor

**Brand name:** Haina

**Spindle type:** HNZ-65D/1.5

**Function:** used in wood carving machine

**Rev(r/min):** 12000rpm-24000rpm

**Power(kw):** 1.5

**Voltage(v):** 220

**Current(A):** 8

**Frequency(HZ):**400

**Cool:** cooled by air

**Bearing type:** 2\*7002CP4 2\*7002CP4

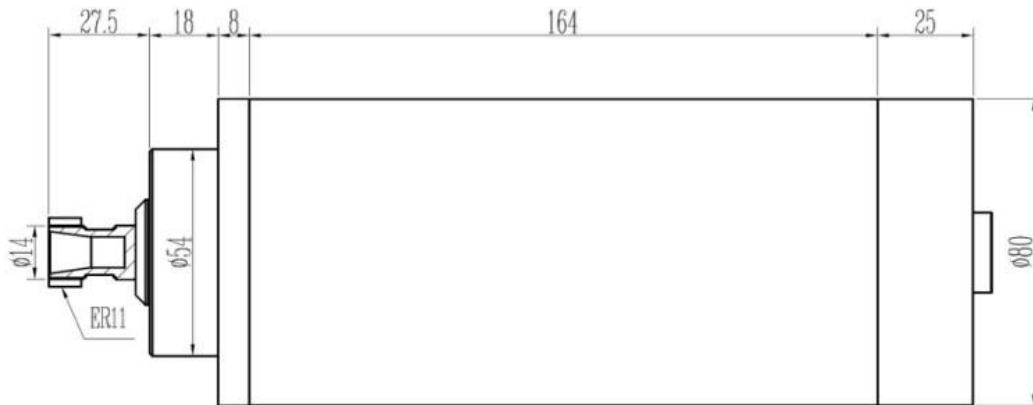
**Lubricate:** grease

**Repair time:** bearing(half year), spindle(one year)

**Collet(mm):** ER11

**Diameter(mm):** 65

**1.5kw air cooling spindle motor**



## 1.5 kw Spindle Motor

**Brand name:** Haina

**Spindle type:** HNZ-80D/1.5

**Function:** used in wood carving machine

**Rev(r/min):** 12000rpm-24000rpm

**Power(kw):** 1.5

**Voltage(v):** 220

**Current(A):** 8

**Frequency(HZ):**400

**Cool:** cooled by air

**Bearing type:** 2\*7002CP4 2\*7002CP4

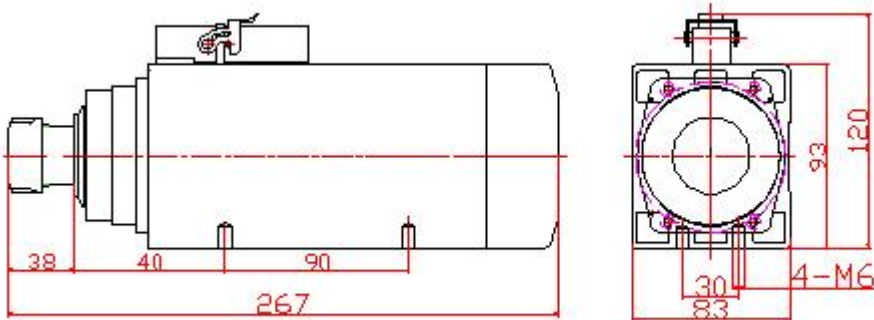
**Lubricate:** grease

**Repair time:** bearing(half year), spindle(one year)

**Collet(mm):** ER11

**Diameter(mm):** 80

## 1.5kw Spindle Motor



### 1.5kw Spindle Motor:

Brand name: Haina

Spindle type: HNZ-1.5

Function: used in wood carving machine

Rev(r/min): 18000-24000

Power(kw): 1.5

Voltage(v): 220

Current(A): 5.5

Frequency(HZ): 300

Cool: cooled by air

Lubricate: grease

Torque: 0.8Nm

Bearing type: 2\*7005CP4 HQ1 1\*7002CP4 (Ceramic ball)

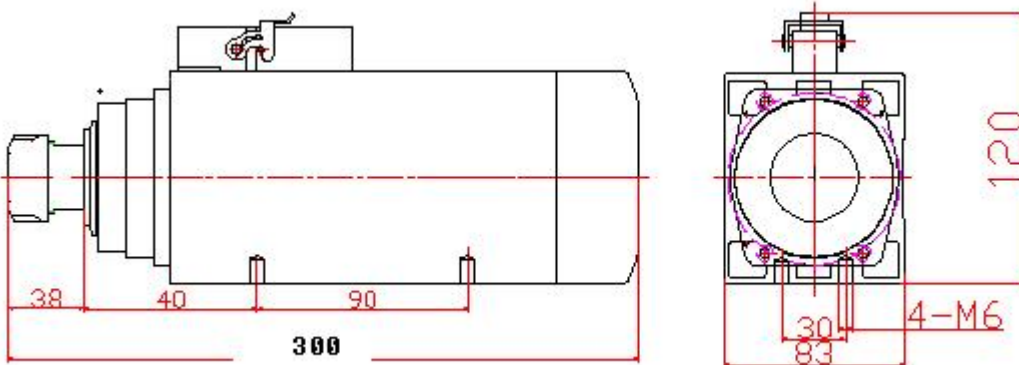
Repair time: bearing(half year), spindle(one year)

Weight (kg): 6.5

Collet(mm): ER20

Length (mm): 267

### 2.2kw Spindle Motor



### 2.2kw Spindle Motor:

Brand name: Haina

Spindle type: HNZ-2.2

Function: used in wood carving machine and engraving

Rev(r/min): 18000-24000

Power(kw): 2.2

Voltage(v): 220

Current(A): 7.8

Frequency(HZ): 300

Torque: 1.16Nm

Cool: cooled by air

Lubricate: grease

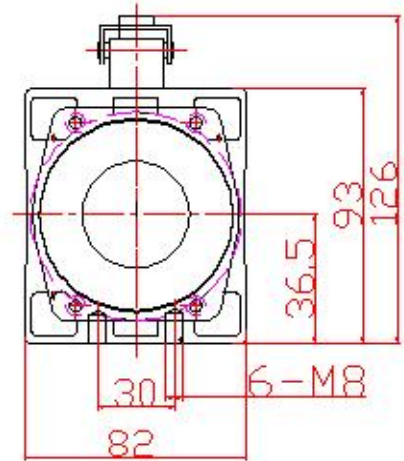
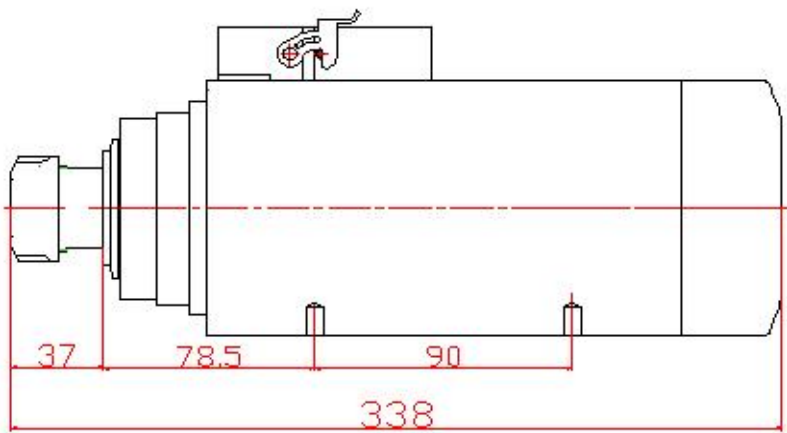
Bearing type: 2\*7005CP4 HQ1 1\*7002CP4 (Ceramic ball)

Repair time: bearing(half year), spindle(one year)

Weight (kg): 7.5

Collet(mm): ER20

Length (mm): 297



### 3.5kw Spindle Motor

#### 3.5kw Spindle Motor:

**Brand name:** Haina

**Spindle type:** HN3-3.5

**Function:** used in wood carving machine and engraving

**Rev(r/min):** 18000-24000

**Power(kw):** 3.5

**Voltage(v):** 380

**Current(A):** 7.4

**Frequency(HZ):** 300

**Torque:** 1.96Nm

**Cool:** cooled by air

**Lubricate:** grease

**Bearing type:** 2\*7007CP4 2\*7002CP4 (Ceramic ball)

**Repair time:** bearing(half year), spindle(one year)

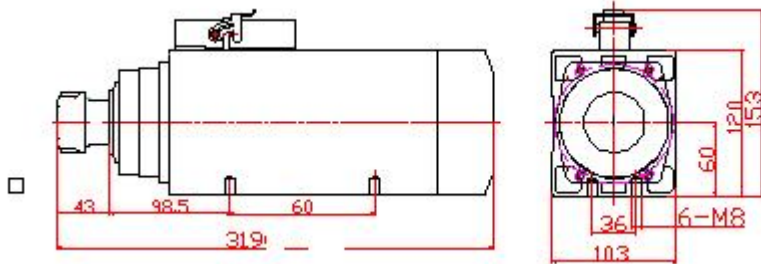
**Weight (kg):** 9

**Collet(mm):** ER25

**Length (mm):** 338



## 4.5kw Spindle Motor



### 4.5kw Spindle Motor:

Brand name: Haina

Spindle type: HNZ-4.5

Function: used in wood carving machine and engraving

Rev(r/min): 18000-24000

Power(kw): 4.5

Voltage(v): 380

Current(A): 9.0

Frequency(HZ): 300

Torque: 2.38Nm

Cool: cooled by air

Lubricate: grease

Bearing type: 2\*7008CP4 1\*7002CP4 (Ceramic ball)

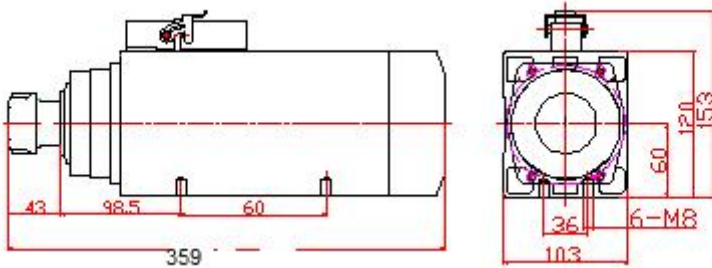
Repair time: bearing(half year), spindle(one year)

Weight (kg): 11.5

Collet(mm): ER32

Length (mm): 310

## 6.0kw Spindle Motor



### 6.0kw Spindle Motor:

Brand name: Haina

Spindle type: HNZ-6.0

Function: used in wood carving machine and engraving

Rev(r/min): 18000

Power(kw): 6.0

Voltage(v): 380

Current(A): 12.0

Frequency(HZ): 300

Torque: 3.18Nm

Cool: cooled by air

Lubricate: grease

Bearing type: 2\*7008CP4 HQ1 1\*7002CP4 (Ceramic ball)

Repair time: bearing(half year), spindle(one year)

Weight (kg): 13.5

Collet(mm): ER32

Length (mm): 350