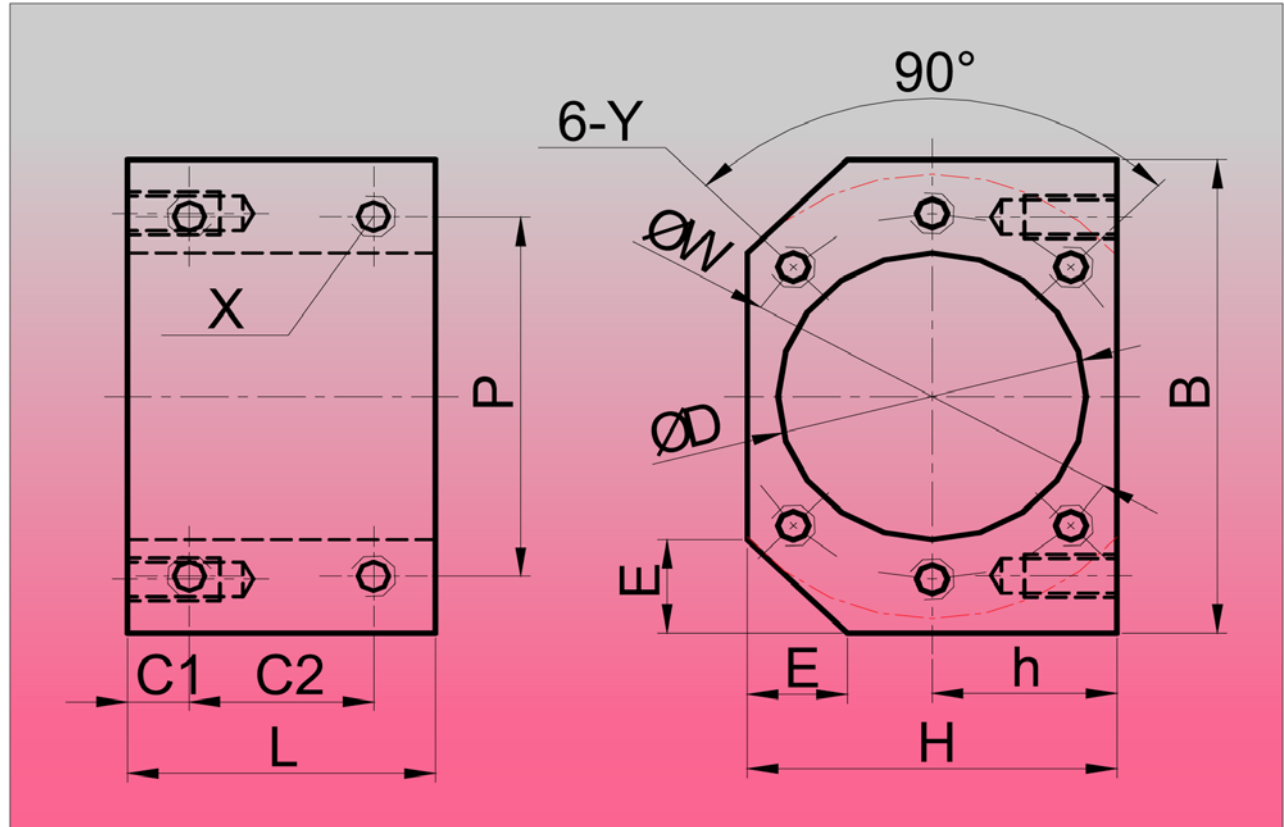


BSG

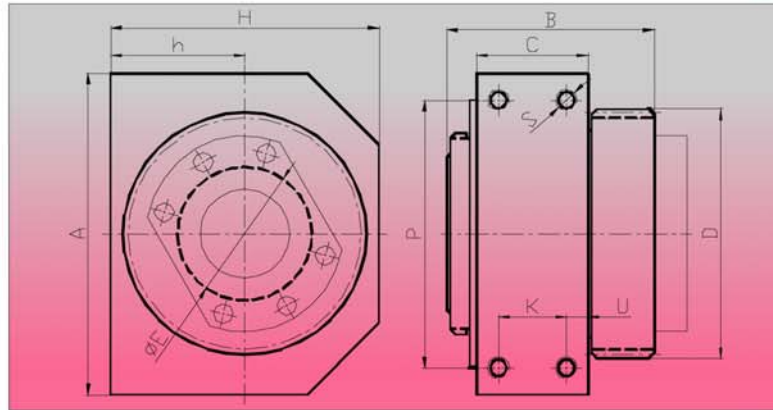
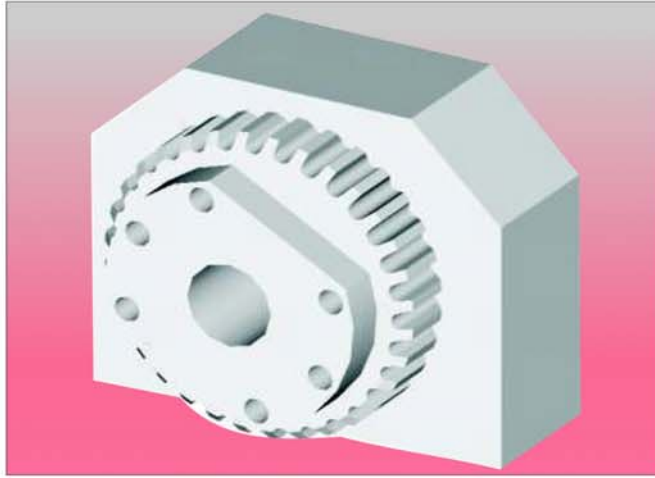
Ball Screw Nut Support



Part No.	Nut	D	B	H	h	E	L	$C1$	$C2$
BSG 16 H	1605 1610	28	52	40	20	12	40	8	24
BSG 20 H	2005 2010	36	62	44	22	12	40	8	24
BSG 25 H	2505 2510	40	66	48	24	13	40	8	24
BSG 32 H	3205 3210	50	86	62	31	17	40	8	24
BSG 40 H	4005 4010	63	100	70	35	19	40	8	24
BSG 50 H	5010	75	116	85	42,5	22	46	10	26

BSG

ساپورت مهره بال اسکرو (مهره متحرک)



Part No.	A	H	h	B	C	D	E	DIN 69051	P	K	U	S	Ballbearing
DSG 01x1605	90	80	40	72	36	5M z:40 b:20	28	Type: SFU	70	20	8	M6	7008
DSG 01x1616							32	Type: SFE					
DSG 02x2005	100	90	45	78	40	5M z:48 b:22	36	Type: SFU	80	20	10	M8	7010
DSG 02x2020							39	Type: SFE					
DSG 02x2505							40	Type: SFU					
DSG 02x2510							40	Type: SFU					
DSG 03x2525	125	116	58	93	50	5M z:56 b:25	47	Type: SFE	100	30	10	M8	7012
DSG 03x3205							50	Type: SFU					
DSG 03x3210							50	Type: SFU					
DSG 04x3232	150	124	62	103	56	8M z:40 b:30	58	Type: SFE	120	32	12	M10	7015
DSG 04x4005							63	Type: SFU					
DSG 04x4010							63	Type: SFU					
DSG 05x4040	180	150	75	116	62	8M z:48 b:30	73	Type: SFE	150	38	12	M12	7018
DSG 05x5010							75	Type: SFU					